

TRAILER SUSPENSION PARTS

REPLACEMENT COMPONENTS FOR HUTCH SUSPENSION SYSTEMS

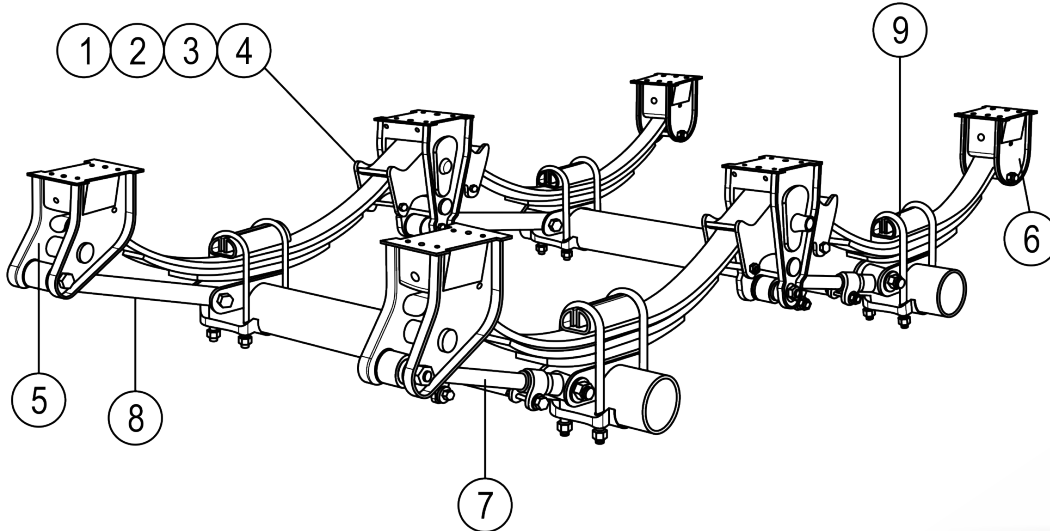


IMAGE	NEWSTAR #:	REPLACES:	DESCRIPTION:	PRODUCT INFORMATION:
1	S-28535	10353-01	Single Bolt Kit	Hutch 9600, 9700 Suspensions with 49" Tandem Axles Works with S-28536
2	S-28534	10287-01	Double Bolt Kit	Hutch 9600, 9700 with 49" Tandem Axles Works with S-28542
3	S-28536	16158-01	Single Bolt Equalizer	Hutch 9600, 9700 Suspensions with 49" Tandem Axles Stamped Primer Coated Steel, Hand Welded Natural Rubber Bushings Works with S-28536
4	S-28542	750-03	Double Bolt Equalizer	Hutch 9600, 9700 Suspensions with 49" Tandem Axles Stamped Primer Coated Steel, Hand Welded Natural Rubber Bushings Works with S-28534
5	S-28539	20728-01	Front Hanger, Top Mount	Hutch 9600, 9700 Suspensions with 49" Tandem Axles Stamped Primer Coated Steel, Hand Welded Machined Center Line Marks for Correct Spacing & Alignment
6	S-28540	20732-01	Rear Hanger, Top Mount	Hutch 9600, 9700 Suspensions with 49" Tandem Axle Stamped Primer Coated Steel, Hand Welded Machined Center Line Marks for Correct Spacing & Alignment
7	S-28537	16398-04	Torque Arm Adjustable	Hutch 9600, 9700 Suspensions with 49" Tandem Axles Primer Coated Steel, Hand Welded Minimum Length: 18.50" Maximum Length: 21.275" Coated Threads for Anti-Seize Natural Rubber Bushings
8	S-19380	E-2899	Torque Arm, Rigid	Hutch 9600, 9700 Suspensions with 49" Tandem Axles I Bar Style Primer Coated Steel, Hand Welded Solid Construction Natural Rubber Bushings 19.25 Center to Center
9	S-28538	16868-01	U-Bolt Plate	Multiple Hutch Suspensions with 49" Tandem Axles Works with 3" U-Bolts Length 8" Width 2.875"

